

Electric boilers



SB 180 – 300 kW

Varmeteknikk - a leader in boiler design

The new generation of SB-boilers emerges as The result of more than 60 years of experience gained in the production and operation of electric boilers. The application of advanced and reliable technology is a warrant for both high reliability in service and a service life above average. Modern design as well as small dimensions are predominant external features.

SB boiler can be delivered with rated effect between 180 – 300 kW. The boiler is constructed for a permissible excess pressure of 6 bar and a permissible flow temperature of max. 95 °C. SB-boiler is equipped with an electronic temp. controller in 15

steps with rated value setting from 30 – 95 °C. The controller has display for indicating working temperature, pre-set temperature, no. of power steps and connected power.

Signals for indicating operation and failure can easily be connected. Also external signal for connected/disconnected boiler.

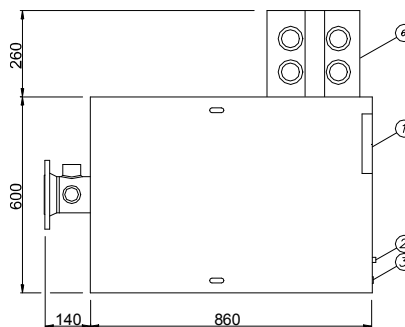
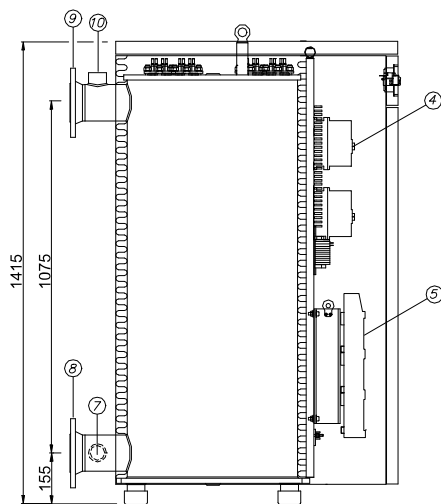
Special features

- All adjustments can be done from outside.
- Tolerances of heating elements, +5/-10 %
- Required height for disassembly of heating elements is 1 m.

Boiler is certified by NEMKO regarding EMC/EMF/HOUS

TYPE	kW	VOLTAGE 380 - 400 V 50 - 60 Hz	KCAL/h	AMP	POWER STEPS (kW)	PRESSURE DROP mm Vs	WEIGHT GROSS KGS	WATER CONTS. LITERS	FLOW/RETURN	DRAIN/EXPANSION	
SB 4180	180	●	154.800	260	12 kW/step	9 mm	290	240	DN 100/16	1 ½"	1 ½"
SB 4200	200	●	172.000	289	13 kW/step	12 mm	295	240	DN 100/16	1 ½"	1 ½"
SB 4225	225	●	193.500	325	15 kW/step	15 mm	300	240	DN 100/16	1 ½"	1 ½"
SB 4250	250	●	215.000	361	17 kW/step	18 mm	305	240	DN 100/16	1 ½"	1 ½"
SB 4300	300	●	258.000	433	20 kW/step	27 mm	310	240	DN 100/16	1 ½"	1 ½"

The specified outputs are referred to voltage 400V. By rated voltage 380 V, the outputs are to be reduced by a factor 0,9. All applicable regulations must be observed when electrical and plumbing connections. Sufficient provision must be made for expansion, in accordance with applicable regulations.



1. Electronic temp.controller
2. Safety temperature limiter
3. On/off-switch
4. Contactors
5. Fuses
6. Cable connection box
7. Drain
8. Return pipe PN 16
9. Flow pipe PN 16
10. Connection for expansion vessel

Subject to alteration

