

Electric boilers



MB 35 – 150 kW

Varmeteknikk - a leader in boiler design

The new generation of MB-boilers emerges as the result of more than 60 years of experience gained in the production and operation of electric boilers. The application of advanced and reliable technology is a warrant for both high reliability in service and a service life above average. Modern design as well as small dimensions are predominant external features.

MB boiler can be delivered with rated effect between 30 – 150 kW. The boiler is constructed for a permissible excess pressure of 6 bar and a permissible flow temperature of max.95° C. MB-boiler is equipped with an electronic temp. controller in

7 steps with rated value setting from 30 - 95° C. The controller has display for indicating working temperature, pre-set temperature, no. of power steps and connected power.

Signals for indicating operation and failure can easily be connected. Also external signal for connected/disconnected boiler.

Special features

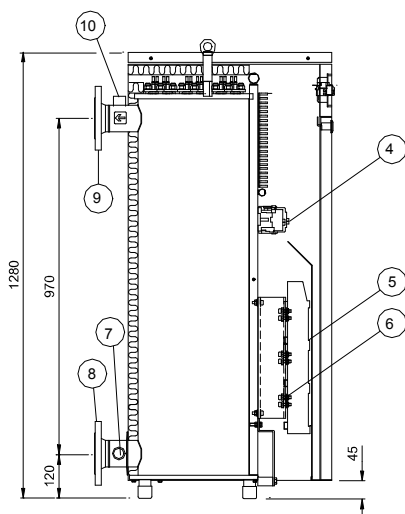
- All adjustments can be done from outside.
- Tolerances of heating elements, +5/-10 %
- Required height for disassembly of heating elements is 1 m.



Boiler is certified by NEMKO regarding EMC/LVD

TYPE	kW	VOLTAGE 380-400 V 50 – 60 Hz	KCAL/H	AMP	MAIN FUSES	POWER STEPS (kW)	WEIGHT GROSS KGS	WATER CONTS. LITERS	FLOW/RETURN	DRAIN/ EXP.
MB 4035	35	●	30100	51	3x63	5, 10, 15, 20, 25, 30, 35	128	75	DN 65 PN 16	1"
MB 4045	45	●	38700	65	3x80	6, 12, 18, 27, 33, 39, 45	131	75	DN 65 PN 16	1"
MB 4060	60	●	51600	87	3x100	9, 18, 27, 33, 42, 51, 60	136	75	DN 65 PN 16	1"
MB 4075	75	●	64500	108	3x125	9, 22, 31, 44, 53, 66, 75	138	75	DN 65 PN 16	1"
MB 4090	90	●	77400	130	3x160	15, 25, 40, 50, 65, 75, 90	144	75	DN 65 PN 16	1"
MB 4105	105	●	90300	152	3x160	15, 30, 45, 60, 75, 90, 105	145	75	DN 65 PN 16	1"
MB 4120	120	●	103200	173	3x200	15, 35, 50, 70, 85, 105, 120	150	75	DN 65 PN 16	1"
MB 4140	140	●	120400	202	3x225	20, 40, 60, 80, 100, 120, 140	150	75	DN 65 PN 16	1"
MB 4150	150	●	129000	217	3x225	20, 40, 60, 90, 110, 130, 150	155	75	DN 65 PN 16	1"

The specified outputs are referred to voltage 400 V. By rated voltage 380 V, the outputs are to be reduced by a factor 0,9. All applicable regulations must be observed when electrical and plumbing connections. Sufficient provision must be made for expansion, in accordance with applicable regulations.



1. Electronic temp.controller
2. Safety temperature limiter
3. On/off-switch
4. Contactors
5. Fuses
6. Bus bars
7. Drain
8. Return pipe PN 16
9. Flow pipe PN 16
10. Connection for expansion vessel

Subject to alteration

